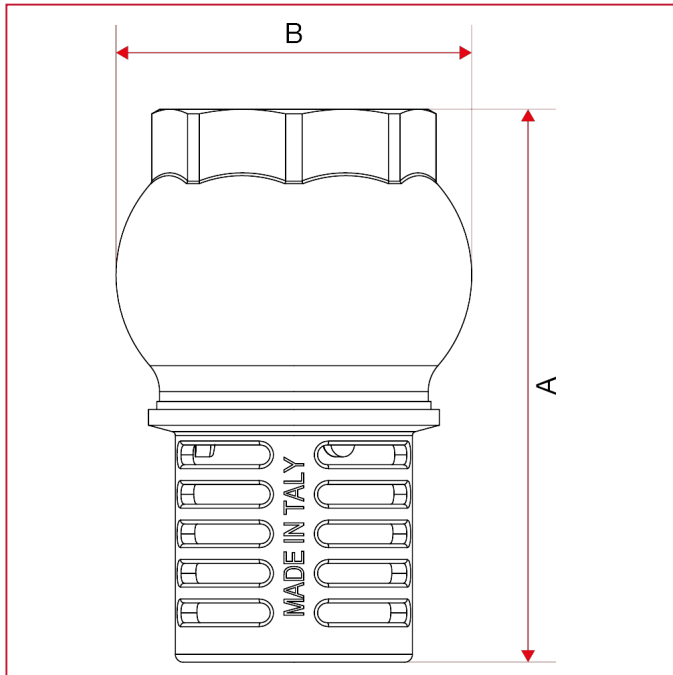




FOOT VALVE

140 Foot valve

OVERALL DIMENSIONS



	1/2"	3/4"	1"	1"1/4	1"1/2	2"	2"1/2	3"	4"
DN	15	20	25	32	40	50	65	80	100
A	59,5	70	81	94	101,5	119	139	175	194
B	39	45	51	61	68,5	80	100	121	145
Kg/cm ² bar	10	10	10	8	8	8	6	6	6
LBS - psi	145	145	145	116	116	116	87	87	87