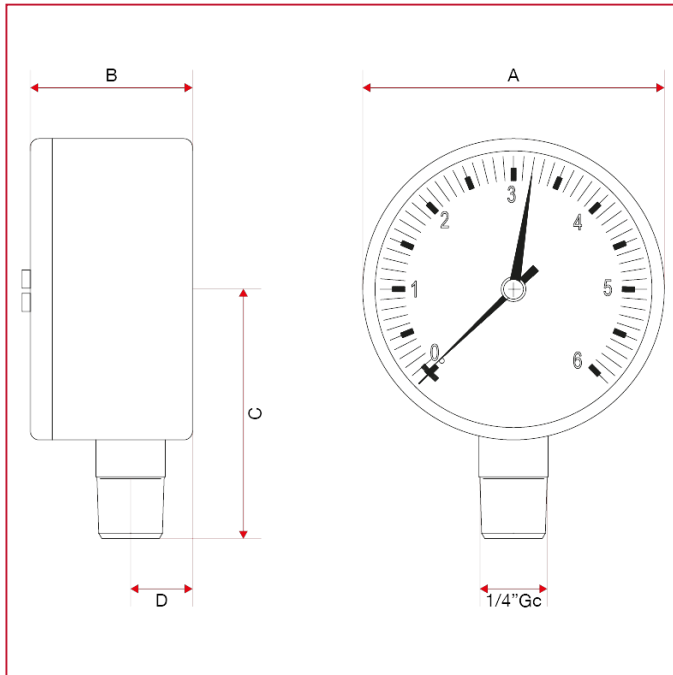




ACCESSORIES FOR MANIFOLDS

482R Pressure gauge, bottom connection, 0-6 bar

OVERALL DIMENSIONS



	1/4"
A	52
B	27,7
C	44,4
D	10,7
Kg/cm ² bar	6
LBS - psi	87