

Receiver

From

Society
Reference
Address
Phone
Fax
E-mail

Item n° :

102160162

Model :

JET 300 M

Pump data

Pressure rating : 8 bar (800 kPa)
Min. fluid temperature : 0 °C
Max. fluid temperature : 35 °C
Max. Ambient temperature : 40 °C

Priming capacity :

H m	2	3	4	5	6	7	8
Q m³/h	9,48	9,18	8,1	7,08	6	4,5	3,36

Requested data

Flow :
Head :
Fluid : Water
Fluid Temperature : 20 °C
Density : 998,3 kg/m³
Kinematic viscosity : 1,005 mm²/s
Vapor pressure :

Hydraulic data (duty point)

Flow :
Head :

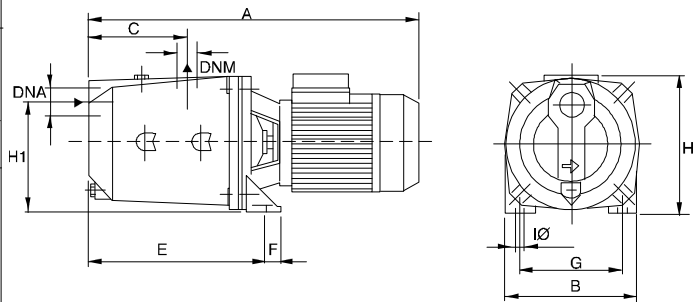
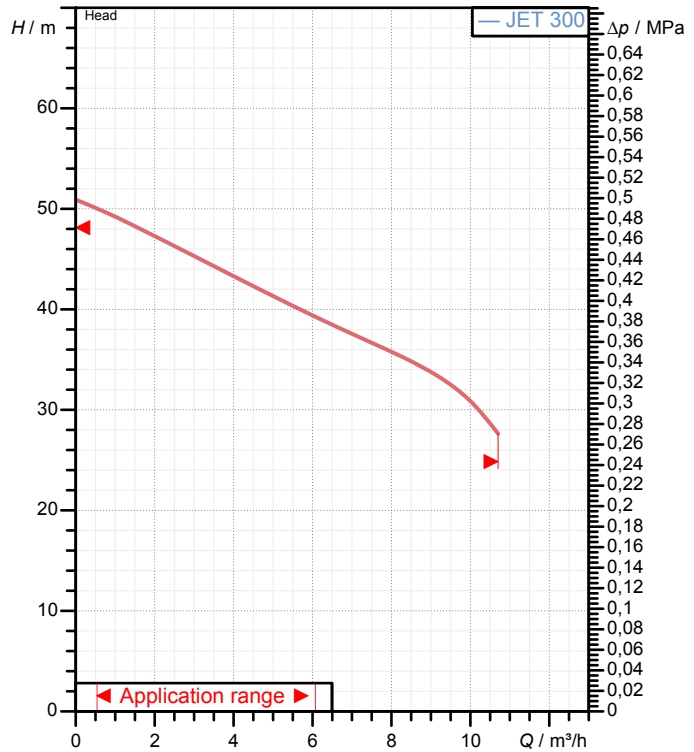
Materials

Pump body : Cast iron GJL 200 UNI EN 1561
Support : Cast iron GJL 200 UNI EN 1561
Impeller : Noryl
Mechanical seal : Carbon/Ceramic
OR ring : NBR Rubber
Shaft with rotor : AISI 303
Nozzle venturi diffuser assembly : Noryl

Motor data

Motor brand : DAB
Nominal power P2 : 2,2 kW
Rated speed : 2850 1/min
Rated voltage : 1~ 230 V 50 Hz
Nominal current : 12 A
Degree of protection : IP 55

Curve tolerance according to ISO 9906



Dimensions in mm

A	595	DNM	1"1/4 G	H	235
B	214	E	282	H1	175
C	151	F	20	I Ø	11
DNA	1"1/2 G	G	160		

Weight : 31,5 kg

Pump connection

Suction side : 1" 1/2 G / 8 bar (800 kPa)
Discharge side : 1" 1/4 G / 8 bar (800 kPa)



PERFORMANCE CURVES

2019-02-07

Page 2 / 3

DAB PUMPS S.p.A.
Via Marco Polo, 14 - 35035 Mestrino (PD), Italy
Tel. +39 049 5125000 - Fax +39 049 5125950
www.dabpumps.com

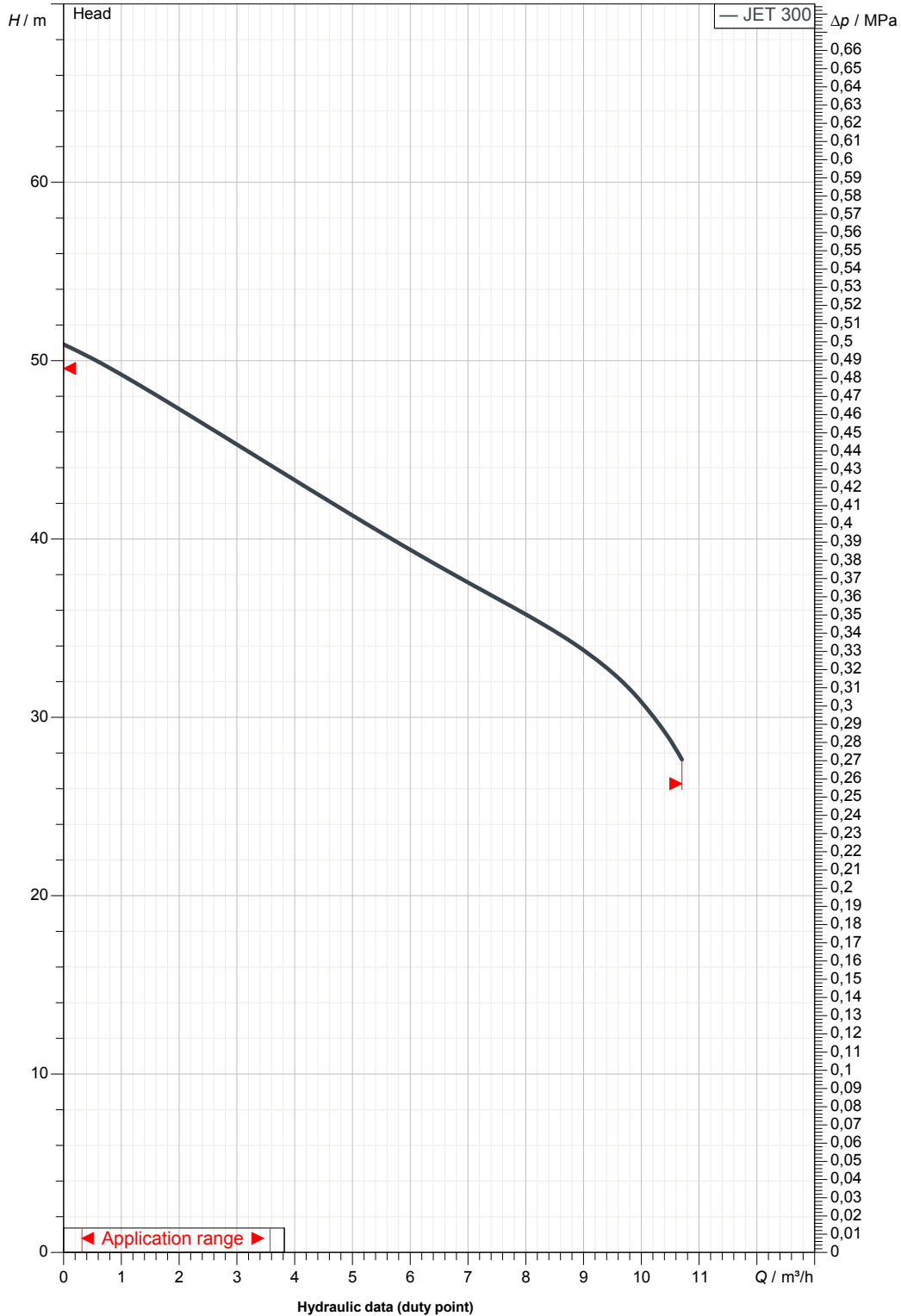
Receiver

From

Society
Reference
Address
Phone
Fax
E-mail

JET 300 M

Curve tolerance according to ISO 9906



Suction side : 1" 1/2 G 8 bar (800 kPa)	Discharge side : 1" 1/4 G 8 bar (800 kPa)	Flow :	Head :	Rated speed : 2850 1/min
MAIN_PROJECT_TITLE	BUSINESS_PROCESS_ID Untitled project 2019-02-07 13:54:05.190	OWNER_	ISSUE_DATE 07/02/2019	



DIMENSIONAL DRAWING

2019-02-07

Page 3 / 3

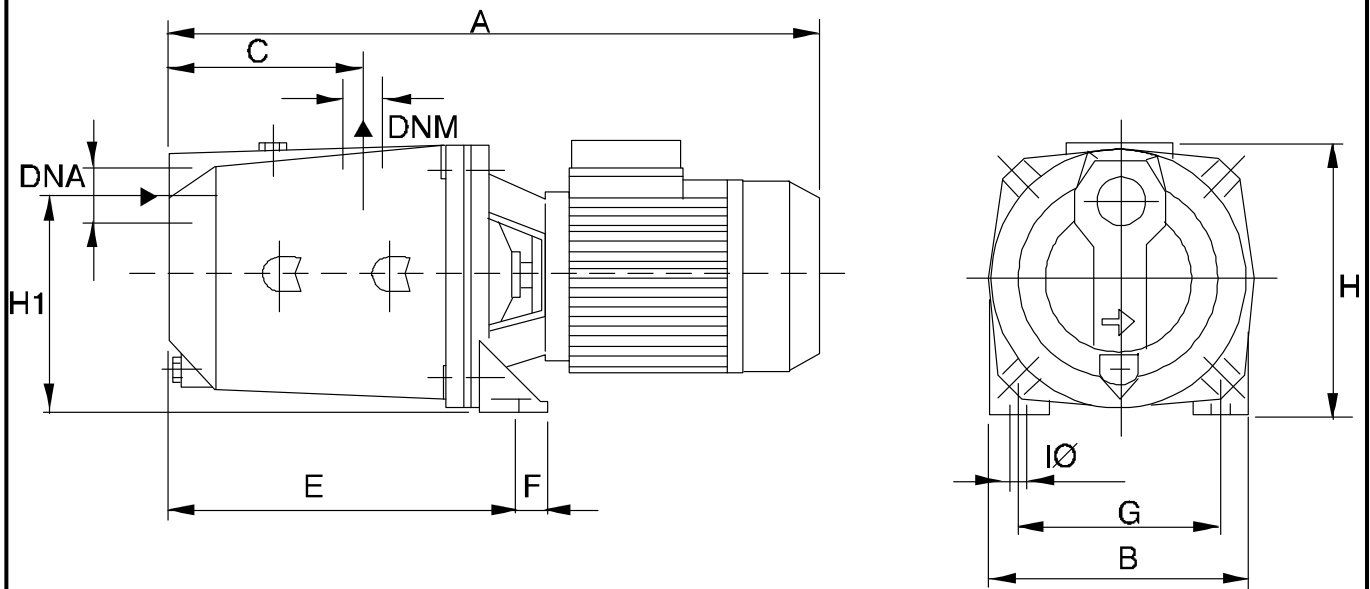
DAB PUMPS S.p.A.
Via Marco Polo, 14 - 35035 Mestrino (PD), Italy
Tel. +39 049 5125000 - Fax +39 049 5125950
www.dabpumps.com

Receiver

From

Society
Reference
Address
Phone
Fax
E-mail

JET 300 M



Dimensions in mm

Pump connection

1	A	595					
2	B	214					Suction
3	C	151					1" 1/2 G
4	DNA	1"1/2 G					8 bar (800 kPa)
5	DNM	1"1/4 G					
6	E	282					Discharge
7	F	20					1" 1/4 G
8	G	160					8 bar (800 kPa)
9	H	235					
10	H1	175					
11	IØ	11					

MAIN_PROJECT_TITLE

BUSINESS_PROCESS_ID

OWNER_

ISSUE_DATE

Untitled project 2019-02-07 13:54:05.190

07/02/2019