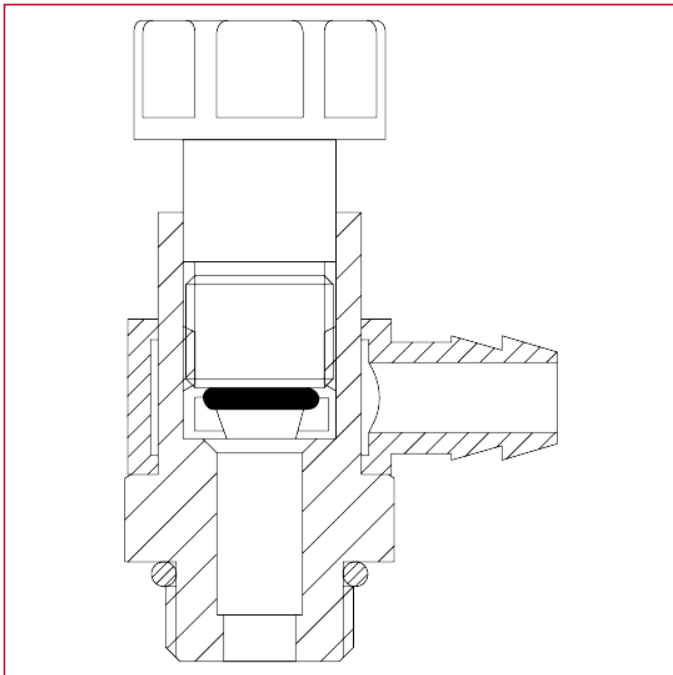




## AIR VENT VALVES AND SAFETY VALVES

### 195 Adjustable drain valve

#### MATERIALS



POS.	DESCRIPTION	N.	MATERIAL
1	Handwheel	1	Acetal resin
2	Body	1	Brass CW617N
3	Hose connection	1	Polyethylene
4	Washer	1	NBR