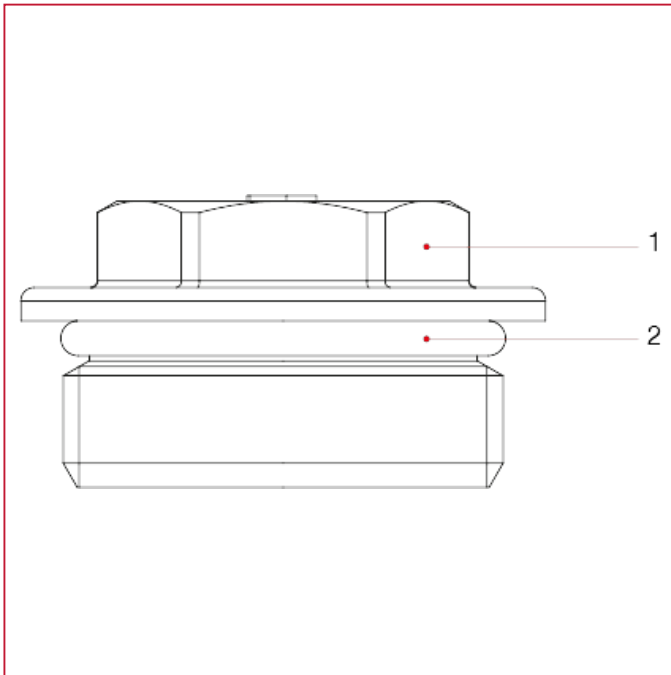




## FITTINGS FOR MULTILAYER, PEX AND POLYBUTYLENE PIPE

### 494 Male end cap with o-ring

#### MATERIALS



POS.	DESCRIPTION	N.	MATERIAL
1	Cap	1	Nickel-plated brass CW617N
2	O-ring	1	EPDM