



PERFORMANCE RANGE

- Flow rate up to **60 l/min** (3.6 m³/h)
- Head up to **48 m**

APPLICATION LIMITS

- Manometric suction lift up to **9 m** (HS)
- Liquid temperature between **-10 °C** and **+40 °C**
- Ambient temperature up to **+40 °C**
- Max. working pressure **6 bar**
- Continuous service **S1**

CONSTRUCTION AND SAFETY STANDARDS

EN 60335-1
IEC 60335-1
CEI 61-150

EN 60034-1
IEC 60034-1
CEI 2-3



CERTIFICATIONS


Company with management system certified DNV ISO 9001: QUALITY



INSTALLATION AND USE

Suitable for use with clean water and with liquids that are not chemically aggressive towards the materials from which the pump is made. The self-priming **JSW** pumps are designed to pump water even in cases where air is present. Because of their reliability and the fact that they are easy to use, they are recommended for use in domestic applications such as the distribution of water in combination with small or medium sized pressure tanks, and for the irrigation of gardens and orchards, etc. Installation needs to be undertaken in well ventilated closed areas or anyway protected from bad weather.

PATENTS - TRADE MARKS - MODELS

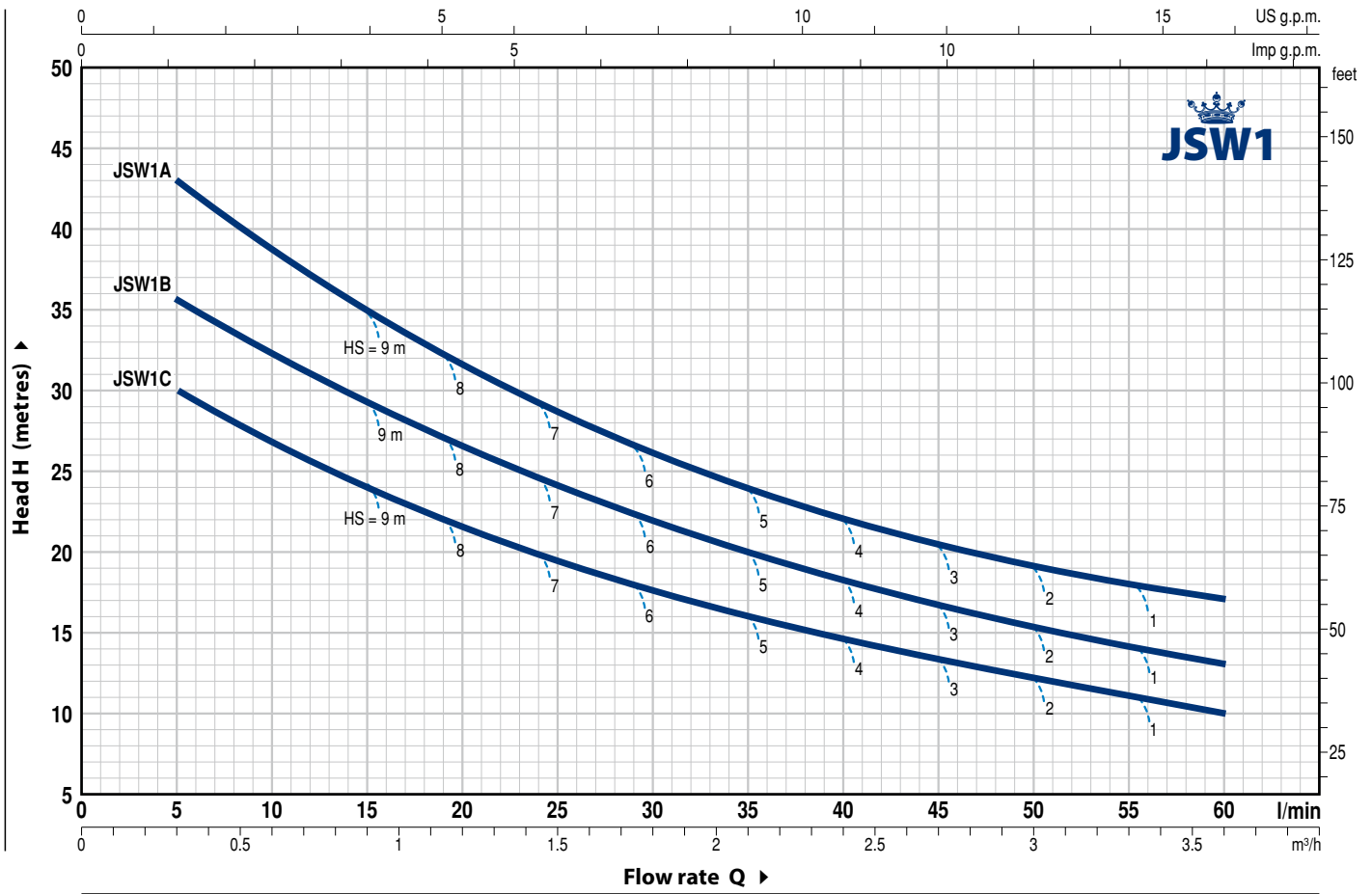
-  JSW® Registered Trade Mark n. 013073135
- Registered EU Design n. 002218610
- European Patent n. 1 510 696

OPTIONS AVAILABLE ON REQUEST

- Pumps with technopolymer impeller
- Other voltages or 60 Hz frequency

CHARACTERISTIC CURVES AND PERFORMANCE DATA

50 Hz n= 2900 min⁻¹ HS= 0 m



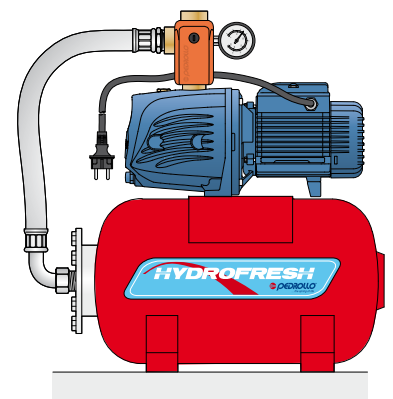
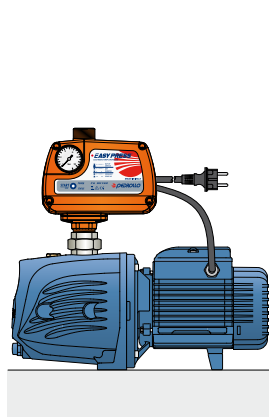
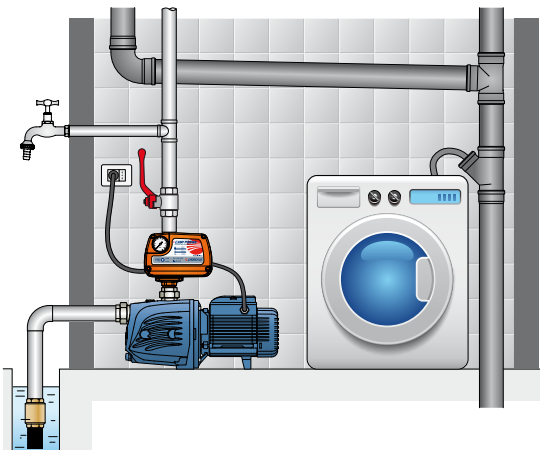
MODEL		POWER (P ₂)		Q	Flow rate										
Single-phase	Three-phase	kW	HP ▲		m ³ /h	0	0.3	0.6	1.2	1.5	1.8	2.4	2.7	3.0	3.6
JSWm 1C	JSW 1C	0.37	0.50	H metres	0	5	10	20	25	30	40	45	50	60	
JSWm 1B	JSW 1B	0.48	0.65		34	30	27	21.7	19.5	17.7	14.7	13.4	12.2	10	
JSWm 1A	JSW 1A	0.55	0.75		39.5	35.5	32.4	26.6	24.2	22	18.3	16.7	15.3	13	

Q = Flow rate H = Total manometric head HS = Suction height



Tolerance of characteristic curves in compliance with EN ISO 9906 Grade 3B.

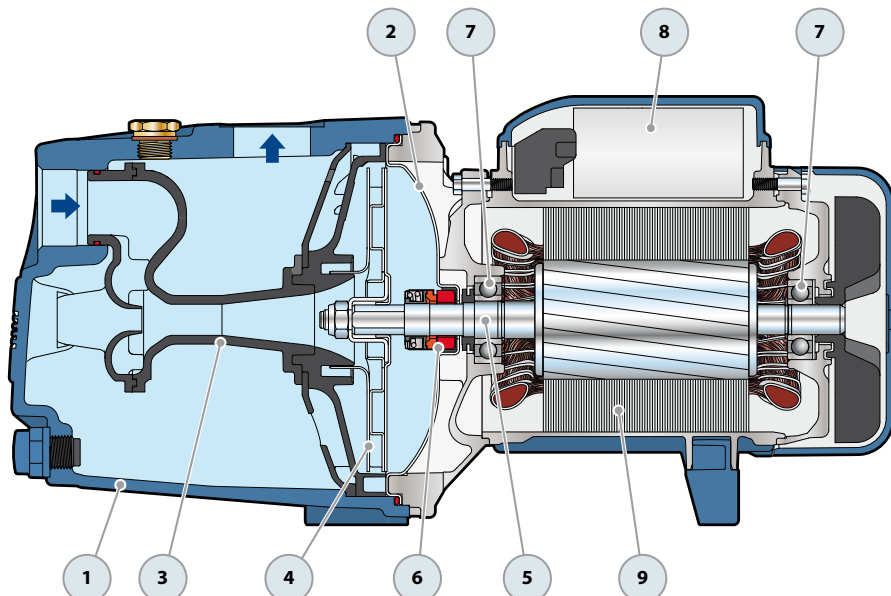
▲ Three-phase motor efficiency class (IEC 60034-30-1)

TYPICAL INSTALLATION

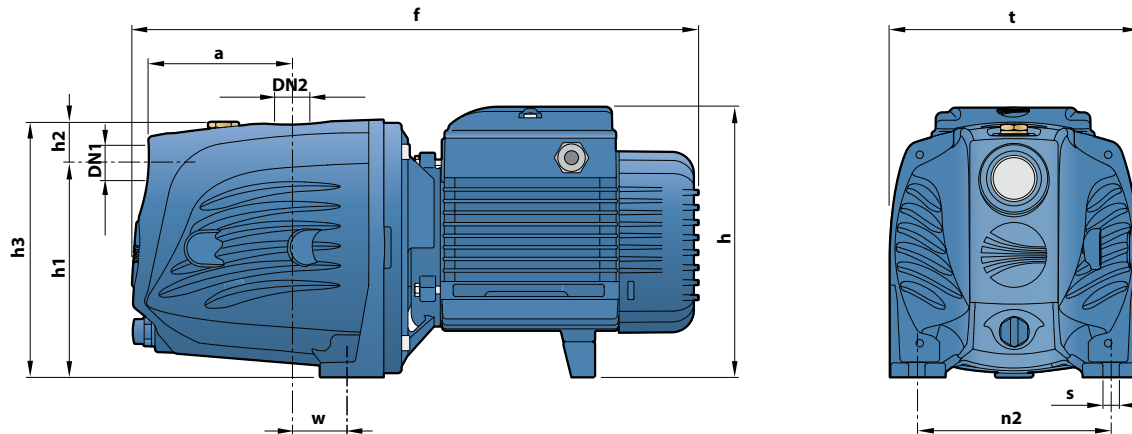


POS. COMPONENT CONSTRUCTION CHARACTERISTICS

1	PUMP BODY	Cast iron with an Epoxy Electro Coating treatment, with threaded ports in compliance with ISO 228/1				
2	BODY BACKPLATE	Stainless steel AISI 304				
3	NOZZLE ASSEMBLY	Noryl				
4	IMPELLER	Stainless steel AISI 304				
5	MOTOR SHAFT	Stainless steel AISI 431				
6	MECHANICAL SEAL	<i>Seal Model</i>	<i>Shaft Diameter</i>	<i>Stationary ring</i>	<i>Materials Rotational ring</i>	<i>Elastomer</i>
		AR-12	Ø 12 mm	Ceramic	Graphite	NBR
7	BEARINGS	6201 ZZ / 6201 ZZ				
8	CAPACITOR	EN 60252-1/A1  				
9	ELECTRIC MOTOR	<p>JSWm: single-phase 230 V - 50 Hz with thermal overload protector incorporated into the winding. JSW: three-phase 230/400 V - 50 Hz.</p> <p>⇒ The three-phase pumps are fitted with high performance motors up to P2=0.48 kW in class IE2 and from P2=0.55 kW in class IE3 (IEC 60034-30-1)</p> <ul style="list-style-type: none"> - Insulation: class F - Protection: IP X4 				



DIMENSIONS AND WEIGHT



MODEL		PORTS		DIMENSIONS mm										kg	
Single-phase	Three-phase	DN1	DN2	a	f	h	h1	h2	h3	t	n2	w	s	1~	3~
JSWm 1C	JSW 1C	1"	1"	94	357	171	127	35	162	158	124	24	10	9.7	9.7
JSWm 1B	JSW 1B													9.8	9.8
JSWm 1A	JSW 1A													10.7	9.8

ABSORPTION

MODEL	VOLTAGE		
	230 V	240 V	110 V
Single-phase	230 V	240 V	110 V
JSWm 1C	2.5 A	2.4 A	5.0 A
JSWm 1B	3.0 A	3.0 A	6.0 A
JSWm 1A	3.6 A	3.3 A	7.2 A

MODEL	VOLTAGE					
	230 V	400 V	690 V	240 V	415 V	720 V
Three-phase	230 V	400 V	690 V	240 V	415 V	720 V
JSW 1C	1.7 A	1.0 A	0.6 A	1.7 A	1.0 A	0.6 A
JSW 1B	2.3 A	1.3 A	0.8 A	2.1 A	1.2 A	0.7 A
JSW 1A	2.8 A	1.6 A	0.9 A	2.6 A	1.5 A	0.9 A

CAPACITORS

MODEL	CAPACITANCE	
	230 V or 240 V	110 V
Single-phase	230 V or 240 V	110 V
JSWm 1C	10 μ F - 450 VL	25 μ F - 450 VL
JSWm 1B	12.5 μ F - 450 VL	25 μ F - 450 VL
JSWm 1A	14 μ F - 450 VL	25 μ F - 450 VL

PALLETIZATION

MODEL		GROUPAGE n. pumps	CONTAINER n. pumps
Single-phase	Three-phase		
JSWm 1C	JSW 1C	98	140
JSWm 1B	JSW 1B	98	140
JSWm 1A	JSW 1A	98	140