



Application

- To transfer clean water with liquid temperature between 0°C and 40°C
- Applicable in water supply and drainage for factories, mines, municipal facilities as well as field irrigation, etc.

Features

- New unique design with ergonomic feature
- Portable and compact pump frame
- High quality motor with excellent performance and long service life
- Impeller designed with high efficient hydraulic system
- Low fuel consumption

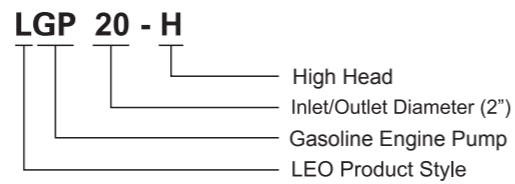
Pump

- Anti-rust cast iron diffuser
- Max. suction: 6 m/120 s
- Inlet/outlet: 50 mm/2 x 38 mm+1 x 50 mm

Engine

- Single cylinder, 4-stroke, Air-cooled
- Max. power: 6.5 HP
- Displacement: 196 cc
- Rated speed: 3600 rpm

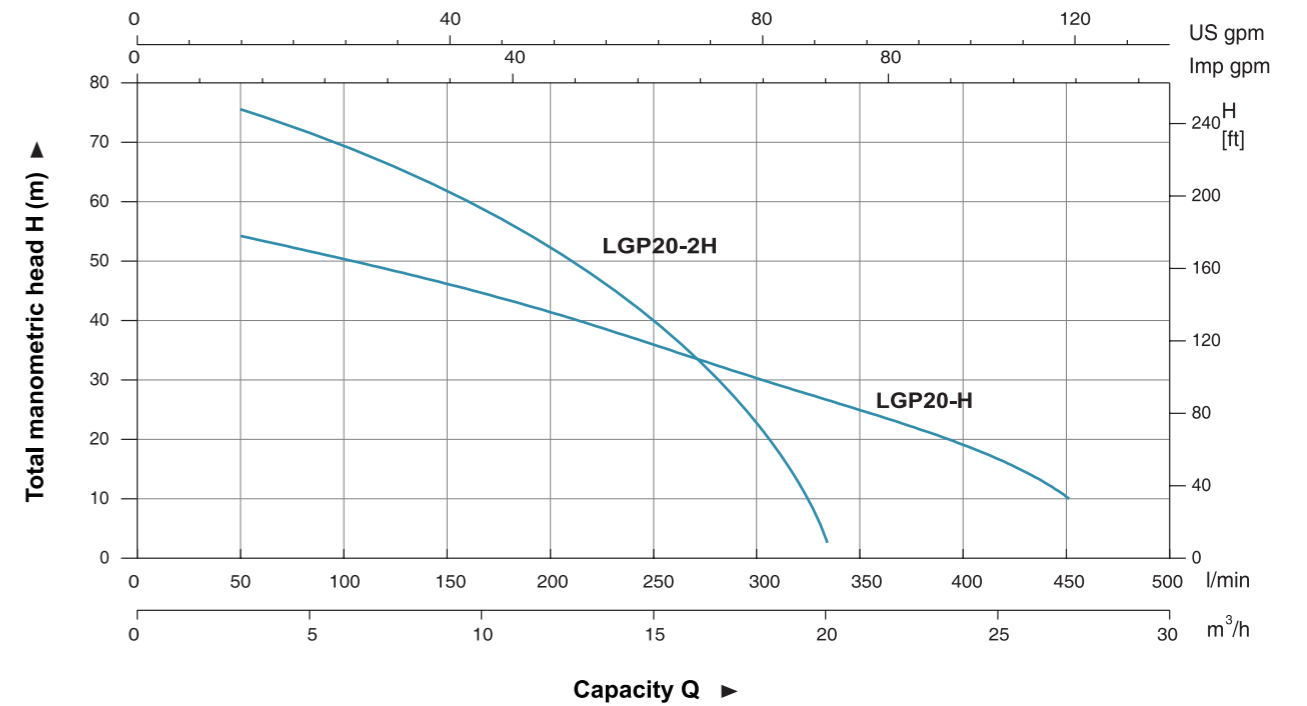
Identification Codes



Technical Data

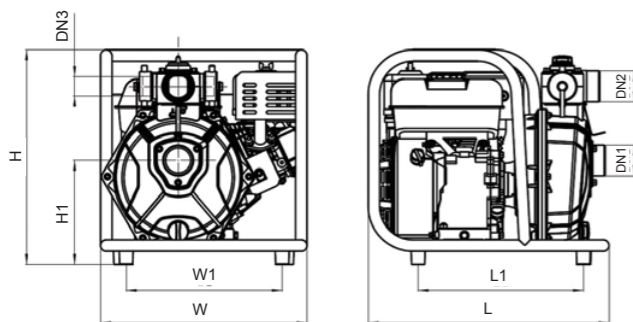
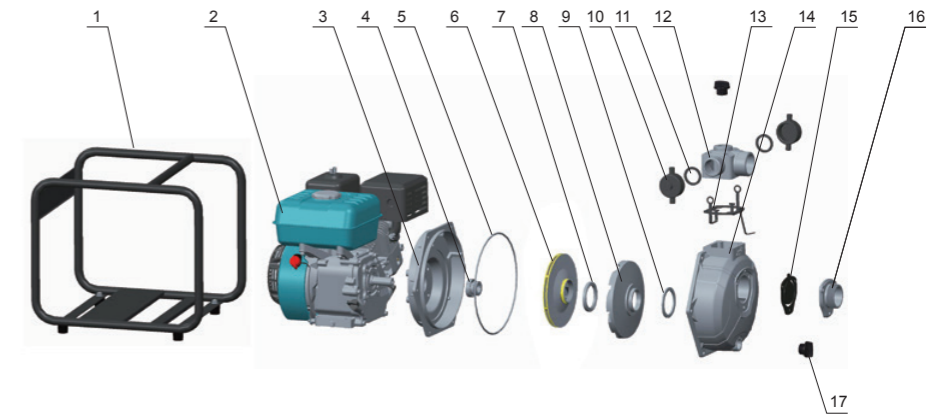
| MODEL | POWER HP | Q (m³/h) Q (l/min) | H (m) | | | | | | |
|----------|-------------|-----------------------|-------|----|------|----|----|----|-----|
| | | | 0 | 5 | 10 | 15 | 20 | 25 | 30 |
| LGP20-H | 6.5 | 83.3 | 55 | 52 | 44.3 | 36 | 27 | 17 | 2.5 |
| LGP20-2H | 6.5 | 166.7 | 80 | 77 | 63 | 42 | 5 | - | - |

Hydraulic Performance Curves



Materials Table

| No. | Part | Material |
|-----|-------------------|----------------|
| 1 | Frame | Steel |
| 2 | Engine | |
| 3 | Bracket | Aluminum |
| 4 | Mechanical seal | Carbon/Ceramic |
| 5 | O-ring | NBR |
| 6 | Impeller | Aluminum |
| 7 | Seal ring | NBR |
| 8 | Diffuser | HT200 |
| 9 | Seal ring | NBR |
| 10 | Pipe blanking cap | PP |
| 11 | Seal ring | NBR |
| 12 | Outlet | Aluminum |
| 13 | Gasket | NBR |
| 14 | Pump body | Aluminum |
| 15 | Non-return valve | NBR |
| 16 | Inlet | Aluminum |
| 17 | Filling plug | PA6 |



Dimension

| Model | DN1 | DN2 | 2×DN3 | L (mm) | W (mm) | H (mm) | L1 (mm) | W1 (mm) | H1 (mm) |
|----------|-----|-----|-------|--------|--------|--------|---------|---------|---------|
| LGP20-H | 2" | 2" | 1.5" | 463 | 397 | 412 | 318 | 300 | 200 |
| LGP20-2H | 2" | 2" | 1.5" | 463 | 397 | 412 | 318 | 300 | 200 |

Package Information

| Model | GW (Kgs) | L (mm) | W (mm) | H (mm) | Quantity (PCS/20 TEU) |
|----------|----------|--------|--------|--------|-----------------------|
| LGP20-H | 22.22 | 470 | 412 | 432 | 340 |
| LGP20-2H | 22.24 | 470 | 412 | 432 | 340 |

