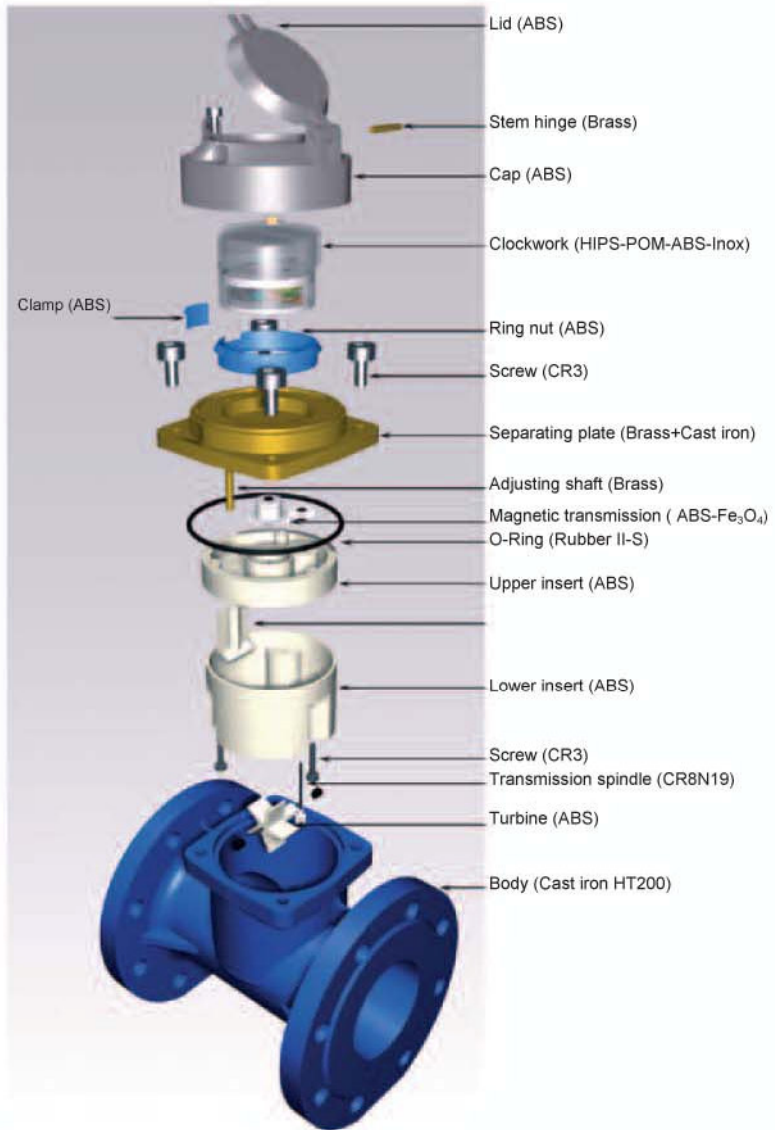
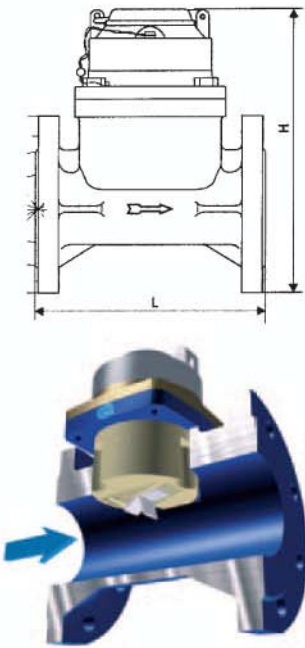


Irrigation impeller water meter - dry dial

DELTA-SJ-SDC can work in presence of high flowrates causing negligible head-loss.

The dial plate and the straight reading type totalizer are located in a sealed, dry, under vacuum housing. The water meter DELTA-SG-SDC is pre-equipped for application of a pulse emitter reed switch type. The magnetic type movement transmission is protected against external magnetic fields by a suitable iron screen.

Easy maintenance is assured by the interchangeable mechanism construction. It can be installed on horizontal or vertical pipes.



TECHNICAL DATA AND DIMENSIONS

GAUGE	mm	50	65	80	100	125	150	200	250	300
	inches	2"	2.1/2"	3"	4"	5"	6"	8"	10"	12"
Qmax	m³/h	70	100	150	250	350	500	900	1200	1600
Qn	m³/h	35	50	75	125	175	250	450	600	800
Qt	m³/h	10,5	15	22,5	37,5	52,5	75	135	180	240
Qmin	m³/h	2,8	4	6	10	14	20	36	48	64
PN	bar	16	16	16	16	16	16	16	16	16
Pressure drop (at Qmax)	bar	<0,1	<0,1	<0,1	<0,1	<0,1	<0,1	<0,1	<0,1	<0,1
Minimum reading	lt	5	5	5	5	5	5	5	50	50
Maximum reading	m³	10 ⁷	10 ⁷	10 ⁷	10 ⁷	10 ⁷	10 ⁷	10 ⁷	10 ⁸	10 ⁸
Weight	Kg	10,50	12,00	13,00	17,50	21,50	33,00	47,00	70,00	85,00
L	mm	200	200	225	250	250	300	350	450	500
H	mm	160	175	196	215	245	280	330	395	450

